

AURORALIGHT

PROJECT: _____

SKU #: _____

TYPE: _____

TRIDENT SPIKE

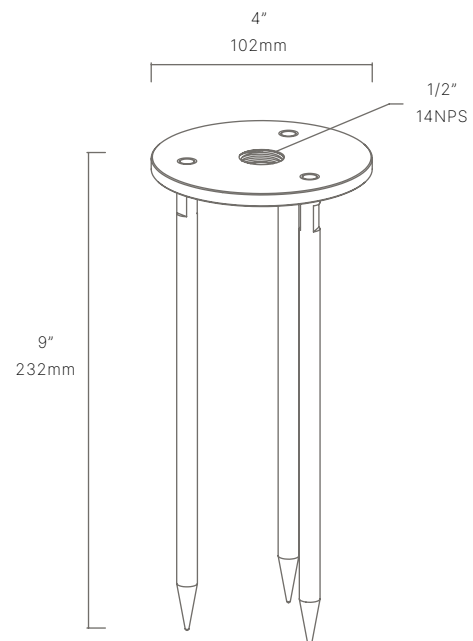
MGS005209

The Trident Spike, part of the most comprehensive ground mount offering available, adds significant lateral strength to ensure a safe and durable installation. All parts are machined entirely from marine-grade, corrosion-resistant stainless steel and includes three spikes and mounting plate.

- Perfect for loose soil conditions and high-traffic areas
- Ideal for lightweight & heavyweight fixtures

DIMENSIONS	H9" x W4"
VOLTAGE	12V
MATERIAL	Stainless Steel

*For complete warranty terms, please visit: www.auroralight.com/warranty/



P. 760.931.2910

O. 2742 Loker Ave. W Carlsbad CA 92010

W. www.auroralight.com

MADE IN USA
WITH DOMESTIC & IMPORTED MATERIALS

